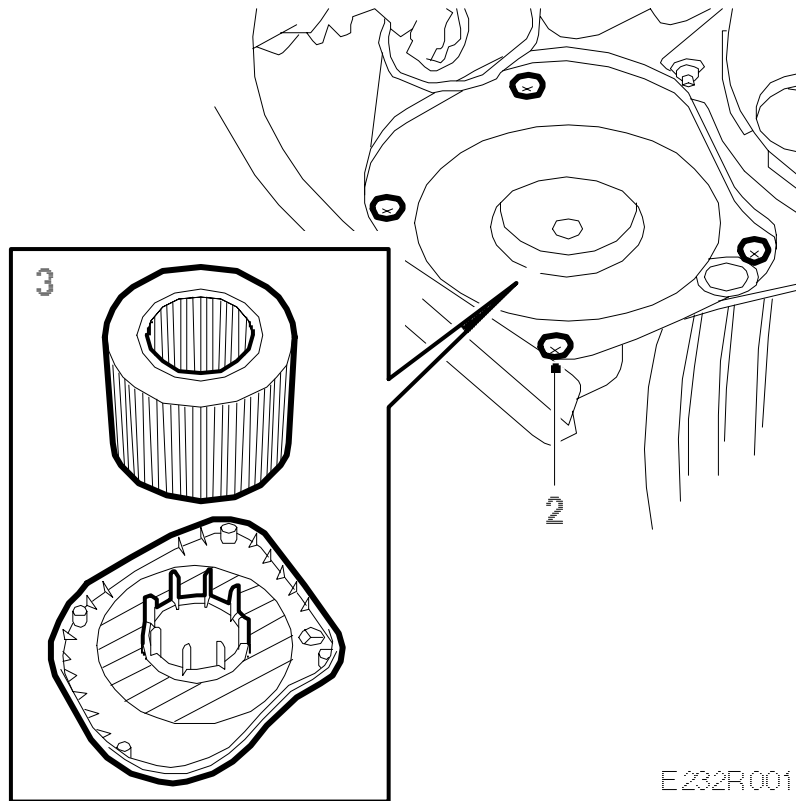


Filter element**To remove**

1. Raise the car.



E232R001

2. Remove the air cleaner cover.
3. Lower away the cover and remove the filter element.

To fit

1. Clean the air cleaner filter housing.
2. Fit a new air filter element. Place the filter element in the cover and bolt the cover to the casing.
3. Lower the car to the floor.